



RENTAL PACKAGE

30/40 Ton

Cat air conditioning units are self-contained and provide conditioned air for outdoor rental applications. Units are sound attenuated and are equipped with screw-type compressors which allow for cold starting—no preheat required. Units feature rental friendly controls to meet the needs of the non-technical operator. Units designed in accordance with industry guidelines and third party safety and quality standards.

TECHNICAL SPECIFICATIONS

| | | | |
|-----------------|------------|---|------------------------------|
| Model..... | Stealth 30 | Total shipping weight (approx lbs)..... | 4,900 lbs |
| Dimensions – ft | | Duct connections (8) – in..... | 19 |
| Length..... | 8'0" | Filter – reusable..... | 2" (30% efficient) 20x20 (6) |
| Width..... | 5'5" | Single point power supply..... | 460 volt, 3 phase, |
| Height..... | 8'0" | | 60 HZ with ground |

TECHNICAL DATA

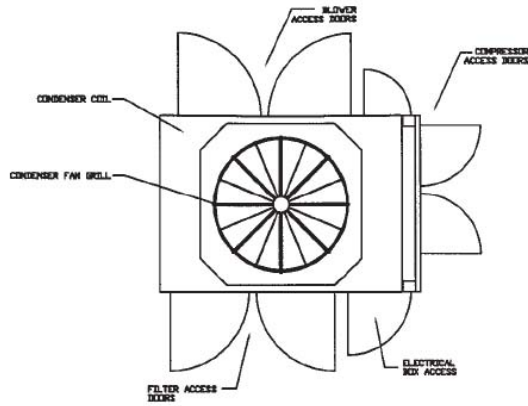
| | | |
|--|--------------------------------|---|
| Electrical Data Total full load amps or running load amps | | 460 volt, 3 phase, 60 HZ with ground 96.3 |
| System Control Remote Temperature Control Discharge air temperature control Return air temperature control | | Standard Standard Standard |
| Fan Data Design air flow/maximum air flow Design total static pressure Fan type Fan control Motor power/speed | cfm in wg hp/rpm | 10,000 3.25 Centrifugal VFD 10/862-1725 |
| Cooling Data Design capacity Design conditions: Entering air temp (dry bulb/wet bulb) Leaving air temp (dry bulb/wet bulb) Coil construction Rows Fins per inch Low ambient control | tons °F °F | 30 (2 Stage) 90/70 63.5/59.6 Copper Tube/Aluminum fins 3 10 VFD |
| Compressor Data Type | | Scroll |



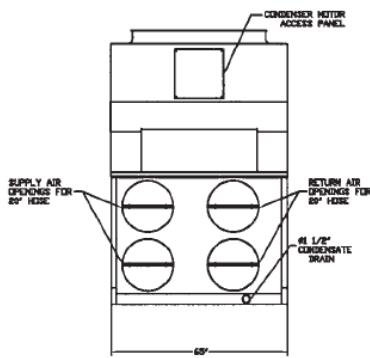
AIR CONDITIONING UNIT



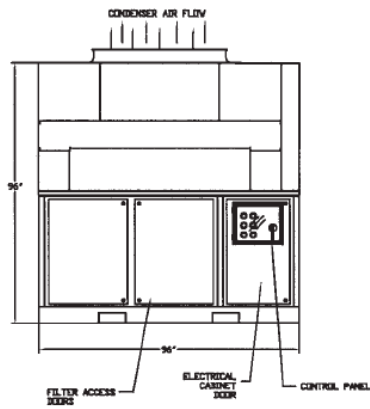
DIMENSIONS



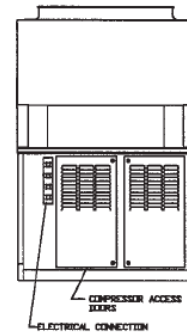
PLAN VIEW



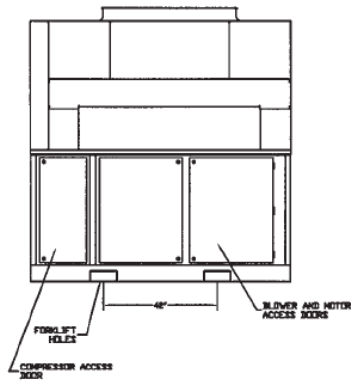
END VIEW 'PLENUM END'



ELEVATION VIEW 'CONTROL SIDE'



END VIEW 'COMPRESSOR END'



ELEVATION VIEW 'BLOWER SIDE'