



Image shown might not reflect actual configuration

AIR CLEANERS FOR C9 ENGINES

GENERAL DESCRIPTION

Air cleaners reduce contaminants flowing into the air intake system, provide a high level of engine protection from harmful contaminants and increase engine performance and fuel efficiency.

Dual element air cleaners provide additional protection for the engine.

FEATURES

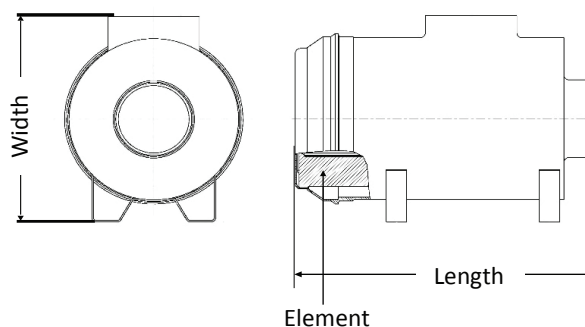
Single element cleaner

- Element
 - Radial Seal & Pleatloc technology
 - No Safety Element
 - Standard Yellow Media
 - Unique fit filters with a proprietary design
 - More filter media in a smaller area
- Housing
 - Metal Body
- Service indicator
 - 1/8-27 NPT

SPECIFICATION

Single element cleaner

	Element
Flow rate (m ³ /min)	14 - 19
Overall Efficiency	99.9 %
Effective filtering Area (m ²)	10.46
Number of convolutions	258
Depth of convolutions	50.8
Applicable Feature Codes	ACLSS04



CLEANER DIMENSIONS

- Length – 497 mm
- Width – 347 mm
- Height – 530 mm
- Weight – 8.6 Kg

LEHE1871-02 (04-19)