

COOLANT HEATER (WHH / WHHH/ WHHA)

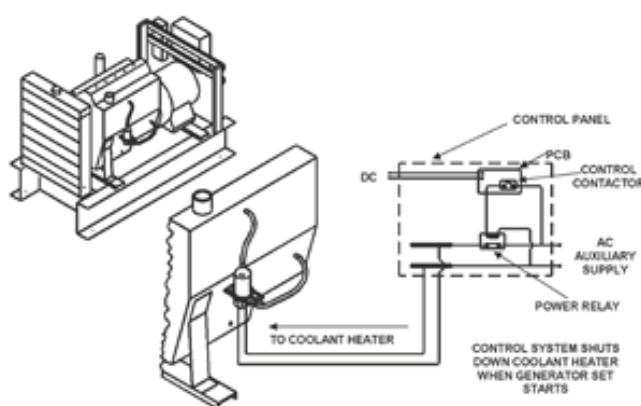
Appropriate when the generator set is to be sited in a low ambient environment, the heater maintains the engine coolant at a temperature [typically 38°C (100°F)] which facilitates rapid starting and load acceptance. The heater assembly uses UL compliant components (to UL1030) and has CSA certification which is to both CSA and UL Standards.

The heater itself is powered either by a 110/120 volt (VAC 120) for 60 Hz or 240V (VAC 240) for 50 Hz AC auxiliary supply protected by a safeguard breaker inside the main control panel. A thermostatic controller is included to regulate the output temperature to within safe limits. When the generator set is not running the heater is automatically connected to the AC supply through a power relay mounted in the control panel.

Upon receiving a start signal the AC supply is automatically disconnected by the power relay and automatically reconnected when the start signal is removed and the engine has stopped.

FEATURES

- Molded from Polyphenylene Sulphide
- Rust free, corrosion resistant with exceptional tensile strength
- Vibration and shock tested to extreme limits to ensure durability
- Compatible with all coolant additives
- Incoloy element for longer service life



VAC 120

Diesel Generator Set Engine Models	Nominal Coolant Heater Power Consumption (Watts)
C2.2, C4.4*	1000
C3.3, C4.4	1500
C7.1	1800
Gas Generator Set Models	Nominal Coolant Heater Power Consumption (Watts)
DG30-2, DG50-2, DG60-2, DG80-2	1000
DG100-2, DG125-2, DG150-2	1800

VAC 240

Diesel Generator Set Engine Models	Nominal Coolant Heater Power Consumption (Watts)
C3.3, C4.4, C7.1	1500
C13, C15, C18	3000

* For North American Region