

# C18 ACERT™

## MARINE PROPULSION ENGINE

454 bhp	339 kW	1800 rpm
479 bhp	357 kW	1800 rpm
600 bhp	448 kW	1800 rpm



Image shown may not reflect actual engine

## SPECIFICATIONS

### I-6, 4-Stroke-Cycle-Diesel

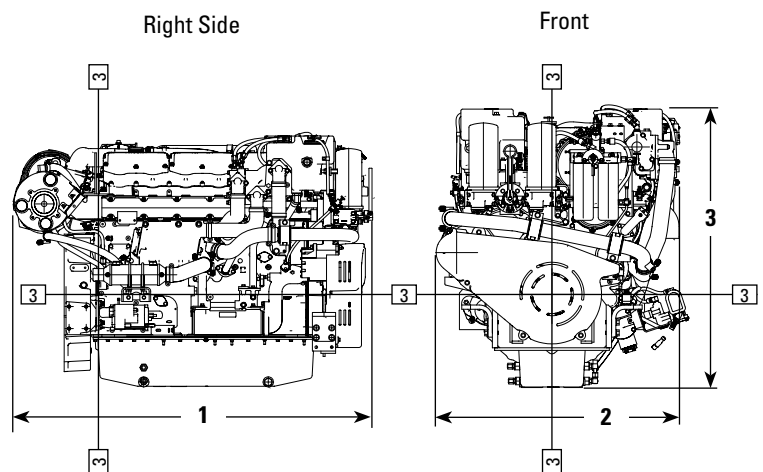
- IMO II compliant
- 18.0 L (1098 cu in) displacement
- 1800 rpm rated engine speed
- 145 mm (5.7 in) bore x 183 mm (7.2 in) stroke
- Turbocharged and aftercooled aspiration
- Electronically governed
- Heat exchanger or keel cooled
- Refill capacity
  - Cooling system: 45 L (12 gal)
  - Lube oil system: 49 L (13 gal) shallow pan
  - Lube oil system: 68 L (18 gal) deep pan
- 250-hour oil change interval shallow pan
- 500-hour oil change interval deep pan
- Caterpillar Diesel Engine Oil 10W30 or 15W40
- SAE No. 0 flywheel housing with SAE No. 18 flywheel (136 teeth), SAE No. 1 flywheel housing with SAE No. 14 flywheel (113 teeth)
- Counterclockwise rotation from flywheel end



## STANDARD ENGINE EQUIPMENT

- Separate circuit aftercooler (SCAC)
- Heavy-duty inlet air filter
- Heat exchanger or keel cooling
- SCAC and JW shunt tanks with sight glass
- Watercooled exhaust manifold and turbocharger
- Center sump oil pan, deep or shallow
- Oil filler, filter, and dipstick, front service
- MEUI fuel system
- Fuel filter, front service
- Fuel transfer and priming pumps
- Hybrid fuel lines
- Electronic fuel/air ratio control
- Electronic diagnostics and fault logging
- Front support adjustable mounting system
- Front damper guard
- Customer wiring and service tool connector

## DIMENSIONS



### ENGINE DIMENSIONS & WEIGHT

<b>(1) Length</b>	1854 mm	73.0 in
<b>(2) Width</b>	1134 mm	44.6 in
<b>(3) Height</b>	1300 mm	51.2 in
<b>Weight, Net Dry (approx)</b>	*1950 kg	*4,299 lb

Note: Do not use these dimensions for installation design. See general dimension drawings for detail.

\*Weight includes electric starting motor and charging alternator.

## MARINE ENGINE PERFORMANCE

### Max Power

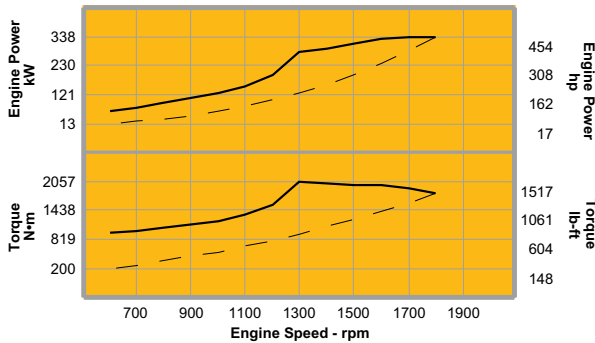
A Rating – EM0082-00					A Rating – EM0083-00					A Rating – EM0075-00				
rpm	bhp	g/hr	bkW	g/bkW-hr	rpm	bhp	g/hr	bkW	g/bkW-hr	rpm	bhp	g/hr	bkW	g/bkW-hr
1800	454	22.6	339	212.1	1800	479	23.7	357	211.3	1800	600	30.0	448	213.1
1600	447	21.9	333	208.7	1600	479	23.0	357	204.5	1600	600	29.1	448	206.5
1400	396	18.9	295	203.4	1400	424	20.3	316	203.9	1400	532	25.9	397	207.1
1000	169	8.2	126	205.8	1000	170	8.2	127	205.2	1000	331	16.5	241	211.7
600	82	3.9	61	203.3	600	81	3.9	60	206.4	600	156	8.3	116	226.1

### Prop Demand

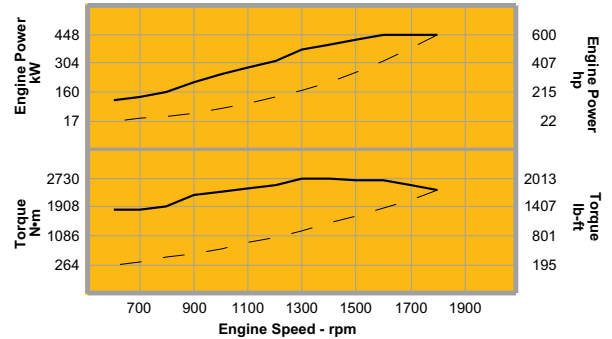
A Rating – EM0082-00					A Rating – EM0083-00					A Rating – EM0075-00				
rpm	bhp	g/hr	bkW	g/bkW-hr	rpm	bhp	g/hr	bkW	g/bkW-hr	rpm	bhp	g/hr	bkW	g/bkW-hr
1800	454	22.6	339	212.1	1800	479	23.7	357	211.3	1800	600	30.0	448	213.1
1600	319	15.9	238	212.1	1600	336	16.7	251	211.8	1600	422	21.3	314	215.0
1400	214	10.7	159	214.1	1400	225	10.9	168	206.9	1400	282	14.2	211	214.2
1000	78	4.1	58	226.0	1000	82	4.2	61	219.3	1100	103	5.2	77	216.9
600	17	1.2	13	292.5	600	18	1.2	13	282.3	900	22	1.4	17	263.7

Maximum Power ——— Prop Demand - - - - -

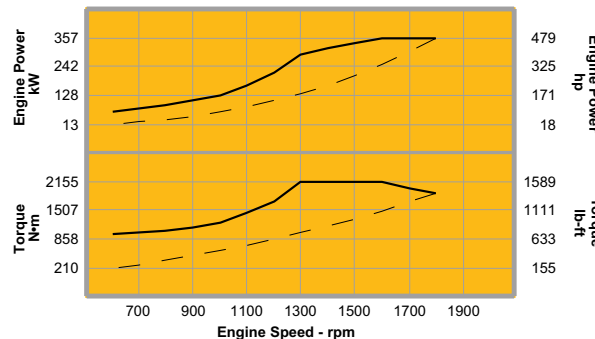
460 mhp (339 bkW) @ 1800 rpm



608 mhp (448 bkW) @ 1800 rpm



485 mhp (357 bkW) @ 1800 rpm



### OPTIONAL EQUIPMENT (partial list)

- Air inlet adapter
- Battery charger, charging alternator
- Exhaust elbow, flange, flex fitting, muffler
- Primary fuel/water separator, duplex fuel filter
- Duplex oil filter, transmission oil cooler
- Starting motors – air or electric
- Jacket water heater
- MECP I control panel
- MECP III control panel with Cat® alarm and protection system

CAT, CATERPILLAR, their respective logos, ACERT, "Caterpillar Yellow" and the "Power Edge" trade dress, as well as corporate and product identity used herein, are trademarks of Caterpillar and may not be used without permission.