

# C32 ACERT™

## MARINE PROPULSION ENGINE

1925 mhp (1900 bhp) 1417 kW  
1825 mhp (1800 bhp) 1342 kW



Image shown  
may not reflect  
actual engine

### SPECIFICATIONS

#### Vee-12, 4-Stroke-Cycle-Diesel

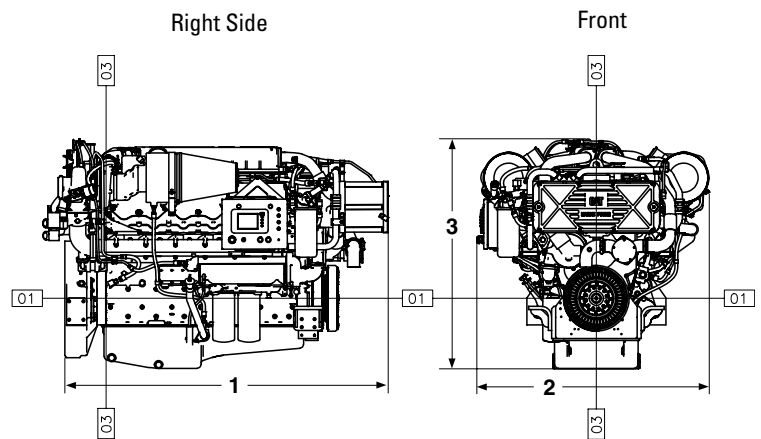
- EPA Tier 3 Recreational/IMO II compliant
- 32.16 L displacement
- 2300 rpm rated engine speed
- 145 mm (5.71 in) bore x 162 mm (6.38 in) stroke
- Turbocharged and aftercooled aspiration
- Electronically governed
- Heat exchanger cooled
- Refill capacity
  - Cooling system: 79 L (20.9 gal)
  - Lube oil system: 85.2 L (22.5 gal)
- 24V electronic protection system
- SAE No. 0 flywheel and flywheel housing, 136 flywheel teeth
- Counterclockwise rotation from flywheel end
- 250-hour oil change interval
- Caterpillar Diesel Engine Oil 10W30 or 15W40



### STANDARD ENGINE EQUIPMENT

- Air cleaner/fumes disposal system
- Electronic governor
- A4 Electronic Control Unit
- Electronic diagnostics and fault logging
- Engine and transmission monitoring
- Sea water aftercooler
- Titanium plate heat exchanger with expansion tank
- Gear-driven jacket water and sea water pumps
- Watercooled exhaust manifold and turbocharger
- MEUI fuel system
- Fuel priming and transfer pump
- Shallow sump oil pan
- Oil filter, dipstick, and oil filler (RH or LH service)
- Crankcase breather
- Adjustable front support

### DIMENSIONS



#### ENGINE DIMENSIONS & WEIGHT

(1) Length overall	2106.3 mm	82.9 in
(2) Width	1469.1 mm	57.8 in
(3) Height	1455.3 mm	56.9 in
<b>Weight, Net Dry (approx)</b>	<b>3075 kg</b>	<b>6780 lb</b>

Note: Do not use these dimensions for installation design. See general dimension drawings for detail.

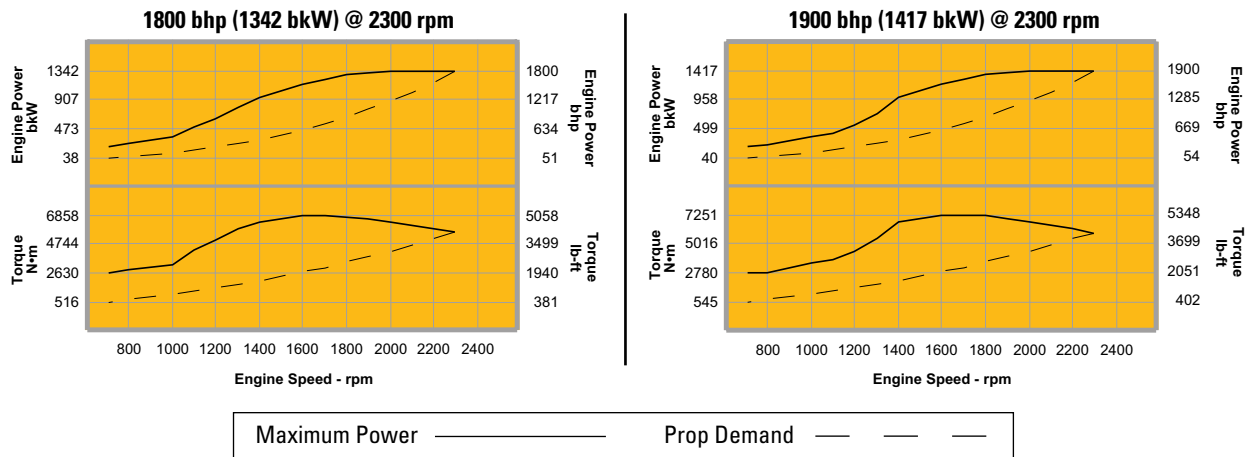
## MARINE ENGINE PERFORMANCE

### Max Power

1825 mhp – E Rating (DM9450-01)					1925 mhp – E Rating (DM9451-00)				
rpm	bhp	g/hr	bkW	g/bkW-hr	rpm	bhp	g/hr	bkW	g/bkW-hr
2300	1800	97.1	1342	229.7	2300	1900	101.4	1417	227.2
1900	1759	86.5	1312	209.4	1900	1861	94.2	1388	215.4
1500	1391	66.3	1037	203.1	1500	1471	69.9	1097	202.4
1100	675	35.6	503	225.0	1100	577	31.2	430	230.6
700	260	13.8	194	225.8	700	274	15.0	204	232.6

### Prop Demand

1825 mhp – E Rating (DM9450-01)					1925 mhp – E Rating (DM9451-00)				
rpm	bhp	g/hr	bkW	g/bkW-hr	rpm	bhp	g/hr	bkW	g/bkW-hr
2300	1800	97.1	1342	229.7	2300	1900	101.4	1417	227.2
1900	1015	52.2	757	219.3	1900	1071	56.0	799	222.6
1500	499	26.6	372	227.3	1500	527	27.5	393	222.2
1100	197	10.5	147	227.1	1100	208	11.3	155	231.8
700	51	3.1	38	260.2	700	54	3.3	40	264.1



## RATING DEFINITIONS AND CONDITIONS

### E Rating (High Performance)

**Typical applications:** For vessels operating at rated load and rated speed up to 8% of the time, or 1/2 hour out of 6, (up to 30% load factor). Typical applications could include but are not limited to

vessels such as pleasure craft, harbor patrol boats, harbor master boats, some fishing or patrol boats. Typical operation ranges from 250 to 1000 hours per year.