

# C32 ACERT™

## MARINE PROPULSION ENGINE

1300 bhp 970 bkW WOSR 1800-2100 rpm  
1450 bhp 1081 bkW WOSR 2100-2300 rpm



Image shown  
may not reflect  
actual engine

## SPECIFICATIONS

### Vee-12, 4-Stroke-Cycle-Diesel

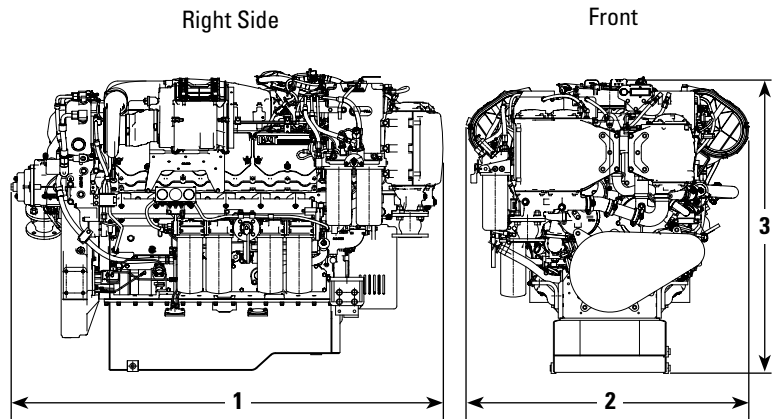
- U.S. EPA Tier 3/IMO II certified
- 32.1 L (1959 cu in) displacement
- 1800-2100 rpm rated engine speed
- 2100-2300 rpm rated engine speed
- 145 mm (5.7 in) bore x 162 mm (6.38 in) stroke
- Turbocharged and aftercooled aspiration
- Electronically governed
- Heat exchanger or keel cooled
- Refill capacity
  - Cooling system: 154 L (40.8 gal) engine and expansion tank
  - Lube oil system: 146 L (38.5 gal)
- 500-hour oil change interval
- Caterpillar Diesel Engine Oil 10W30 or 15W40
- SAE No. 0 flywheel housing with SAE No. 18 flywheel (136 teeth)
- Counterclockwise rotation from flywheel end



## STANDARD ENGINE EQUIPMENT

- Separate circuit aftercooler (SCAC)
- Heavy-duty inlet air cleaner
- Heat exchanger or keel cooling
- SCAC and JW shunt tanks with sight glass
- Watercooled exhaust manifold and turbocharger
- Deep sump oil pan
- Oil filler, filter, and dipstick, RH or LH service
- MEUI fuel system
- Duplex fuel filters, RH or LH service
- Engine-mounted fuel cooler
- Fuel transfer and priming pumps
- Hybrid fuel lines
- Electronic fuel/air ratio control
- Electronic diagnostics and fault logging
- Adjustable front support mounting system
- Customer wiring and service tool connector

## DIMENSIONS



### ENGINE DIMENSIONS & WEIGHT

<b>(1) Length (overall)</b>	2284 mm	89.9 in
<b>(2) Width</b>	1528 mm	60.2 in
<b>(3) Height</b>	1584 mm	62.4 in
<b>Weight, Net Dry (keel)</b>	3155 kg	6956 lb
<b>Weight, Net Dry (heat exchanger)</b>	3245 kg	7155 lb

Note: Do not use these dimensions for installation design. See general dimension drawings for detail.

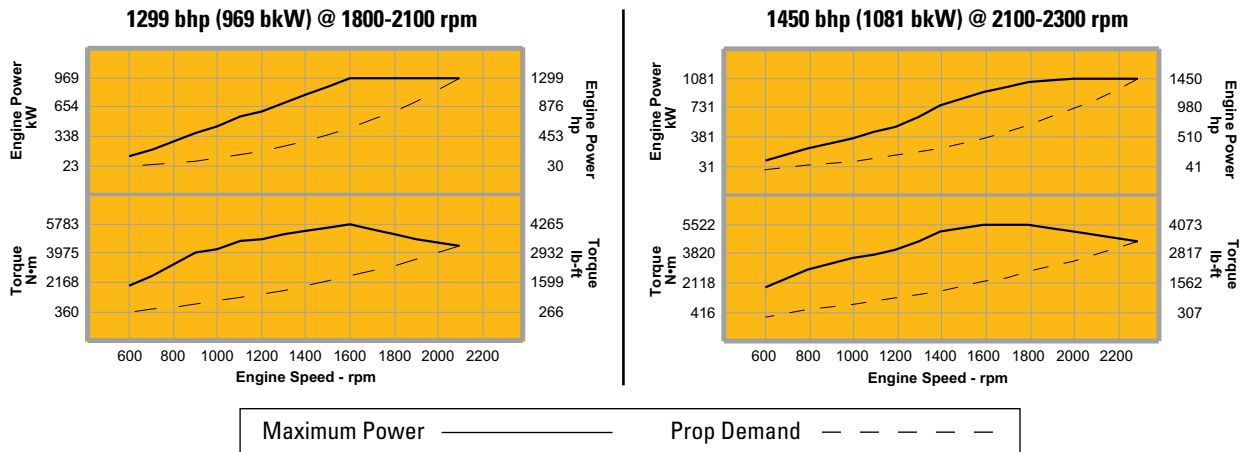
## MARINE ENGINE PERFORMANCE

### Max Power

C Rating – DM8898-05					C Rating – DM9448-01				
rpm	bhp	g/hr	bkW	g/bkW-hr	rpm	bhp	g/hr	bkW	g/bkW-hr
2100	1299	67.9	969	222.7	2300	1450	75.9	1081	223.1
1800	1299	67.3	969	220.4	2100	1446	74.8	1078	220.4
1400	1043	51.1	778	208.8	1500	1121	55.4	836	210.6
1100	735	39.2	548	227.1	1100	587	33.2	438	240.4
600	169	8.7	126	219.8	600	153	8.0	114	221.8

### Prop Demand

C Rating – DM8898-05					C Rating – DM9448-01				
rpm	bhp	g/hr	bkW	g/bkW-hr	rpm	bhp	g/hr	bkW	g/bkW-hr
2100	1299	67.9	969	222.7	2300	1450	75.9	1081	223.1
1800	818	44.4	610	230.9	2100	1103	60.2	823	232.2
1400	385	20.0	287	221.7	1500	402	22.5	300	238.4
1100	187	10.2	139	231.7	1100	159	8.4	118	224.9
600	30	2.1	23	295.0	600	26	1.9	19	308.9



### OPTIONAL ATTACHMENTS

- Air inlet adapter
- Battery charger 10 amp
- Charging alternator 24V 105 amp
- Exhaust elbow, dry
- Exhaust flange, flexible fitting, muffler
- Water separator
- Fumes disposal (closed system)
- Duplex oil filters, RH or LH
- Manual sump pump
- Transmission oil cooler
- Starting motors — electric or air
- Dual starting motors (electric and air)
- Jacket water heaters
- Battery sets — 24V 950-1300 CCA
- MECP I control panel
- MECP III control panel with Cat alarm and protection system
- Fuel and oil spray shielding
- OEM wiring harness — 30, 50, 80 foot lengths
- Engine-to-engine wiring harness — 15, 30 foot lengths
- Heavy-duty front support
- Isolator mounts
- Power take-offs

CAT, CATERPILLAR, their respective logos, ACERT, "Caterpillar Yellow" and the "Power Edge" trade dress, as well as corporate and product identity used herein, are trademarks of Caterpillar and may not be used without permission.